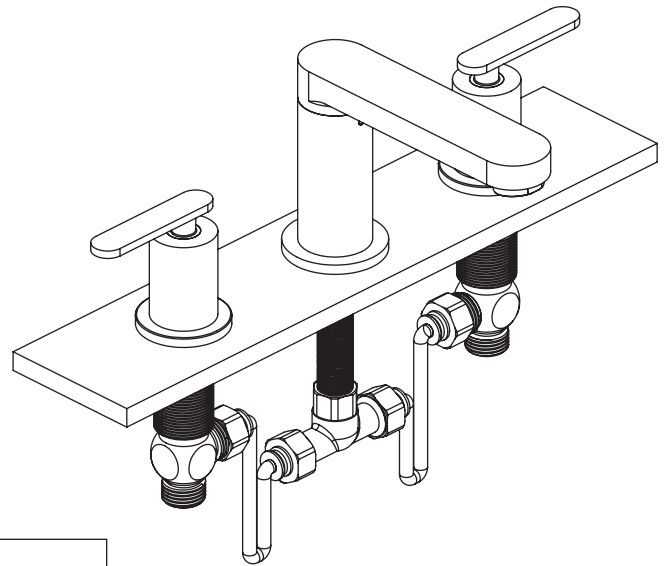


## Installation Manual For 110.2000

### "8" Widespread Lavatory Faucet



#### **NOTICE TO HOMEOWNER**

- We recommend that this product is installed by a qualified professional plumber.
- Please check this product immediately to ensure that it has not been damaged and is complete. Before installation, please make sure this product is the correct model and you have all the parts required for installation and use.
- Please flush the water system to ensure that no metal swarf, solder, and other impurities can enter the product.
- Turn off water supply before commencing work.
- Please read these instructions carefully and retain for future reference.

#### **BEFORE YOU BEGIN**

- You must observe all local plumbing laws and codes.
- Do not instal valve if it does not meet local plumbing codes.
- Shut off the main water supply.

# Installation Manual For 110.2000

## "8" Widespread Lavatory Faucet

### TABLE OF CONTENTS

OPERATING SPECIFICATIONS . . . . .	3
INSTALLING THE HOT & COLD HANDLES . . . . .	4
INSTALLING THE SPOUT . . . . .	6
INSTALLING THE HOSES . . . . .	7

## OPERATING SPECIFICATIONS

### WATER TEMPERATURE



This product is to be used with water at a temperature range of 40°F - 120°F ONLY!

### WATER PRESSURE

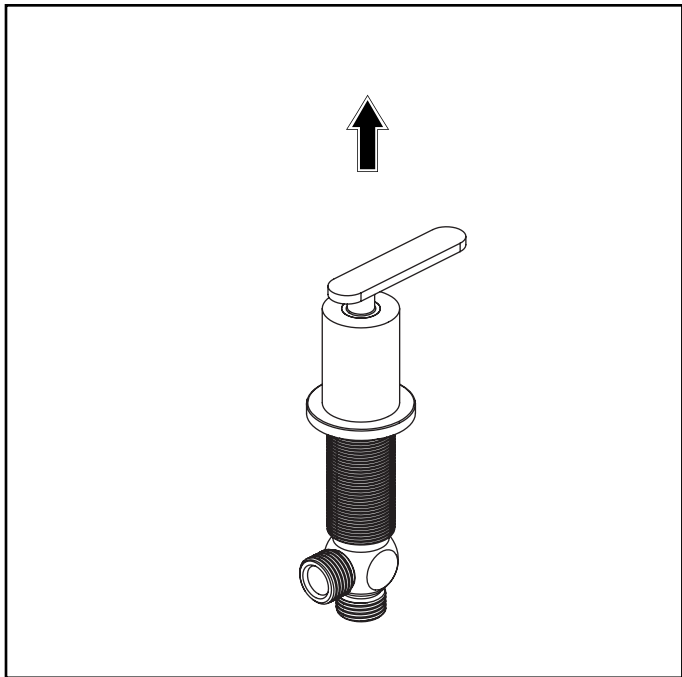


This product is to be used with a water pressure range of 15 PSI to 80 PSI ONLY

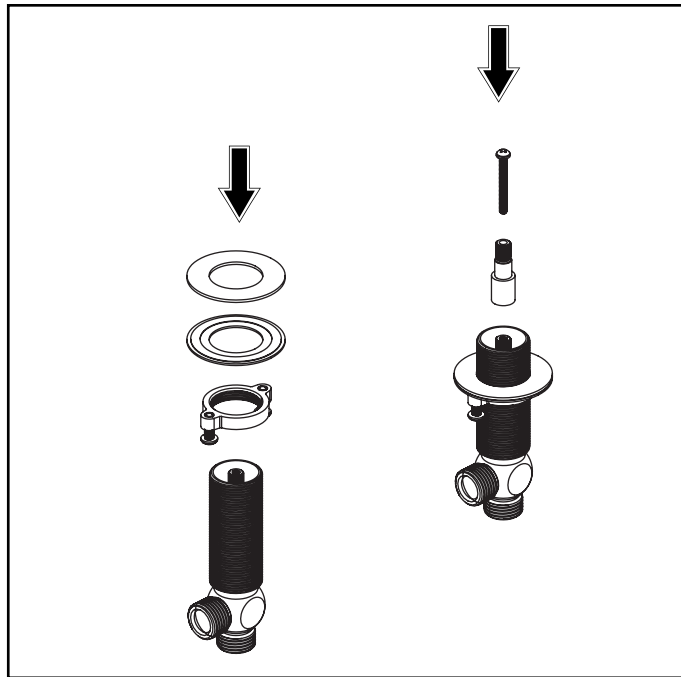
If water pressure is greater than 80 PSI, install a pressure reducer valve (PRV)

This valve meets or exceeds ANSI A112.18.1 and ASSE 1016

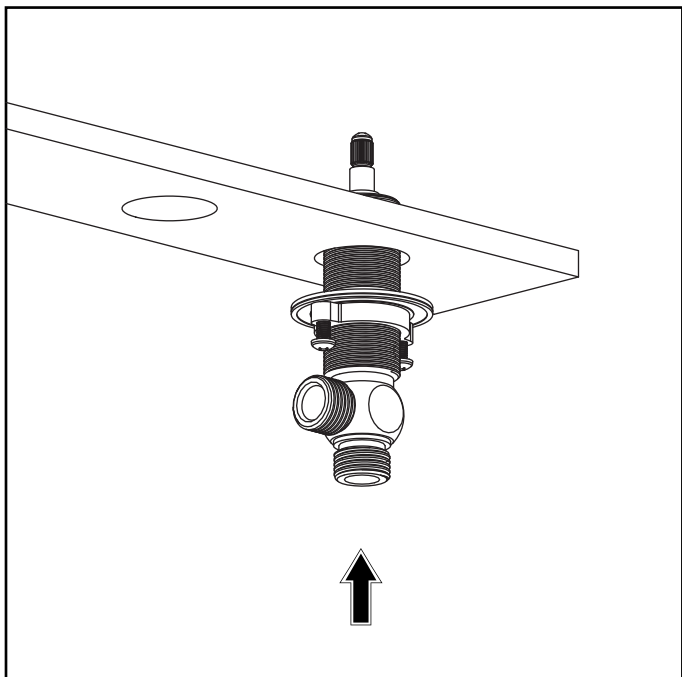
## INSTALLING THE HOT & COLD HANDLES



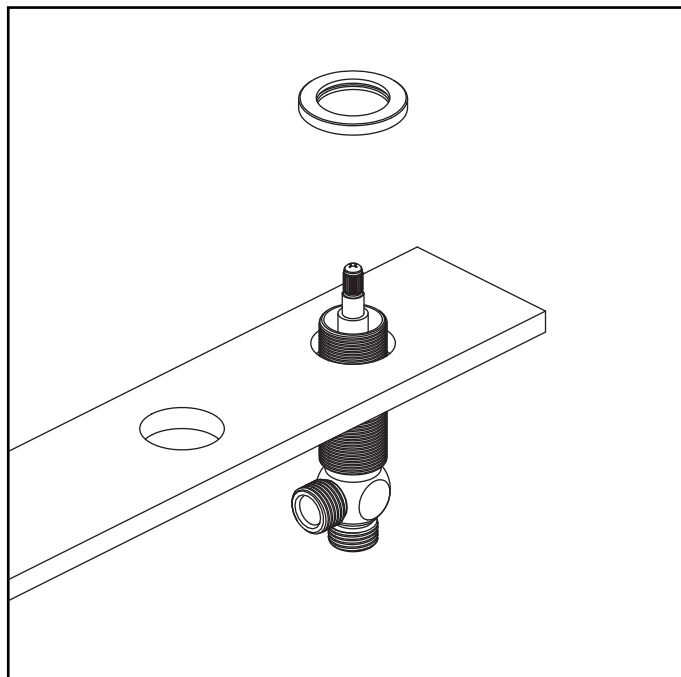
Remove body from valve



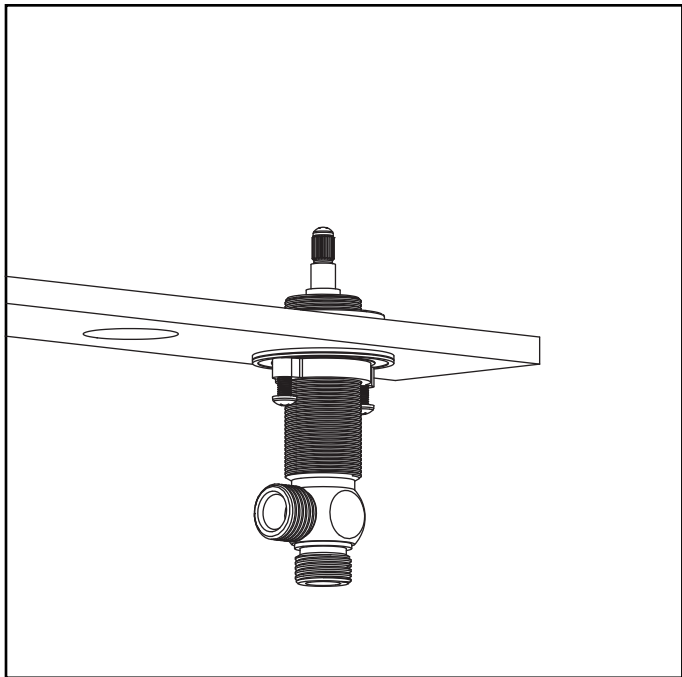
Install nut and washers onto valve. Then insert handle extension and tighten screw.



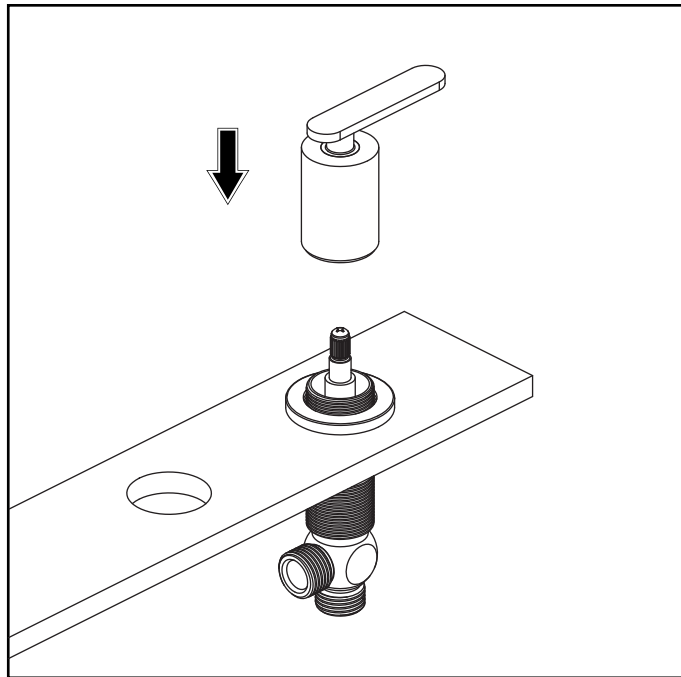
Insert valve into 1-3/8" hole from below the deck



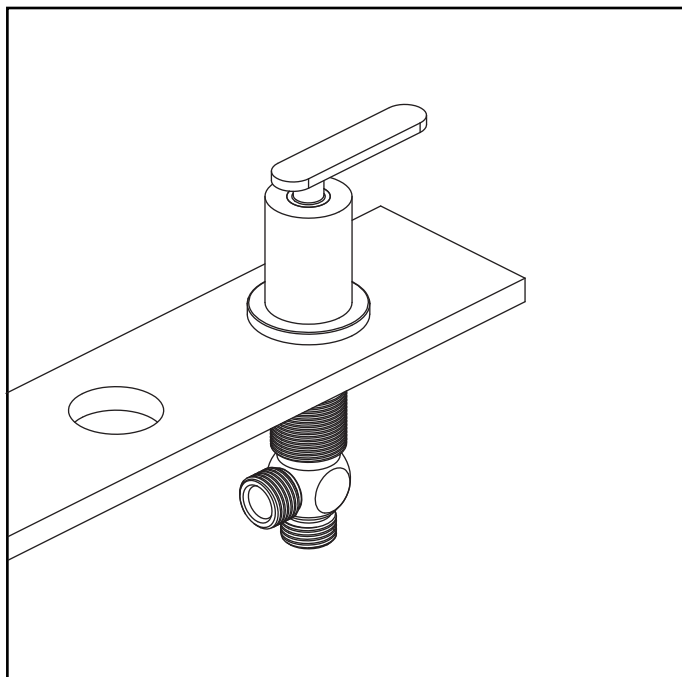
## INSTALLING THE HOT & COLD HANDLES



Tighten nut and washer from bottom of deck

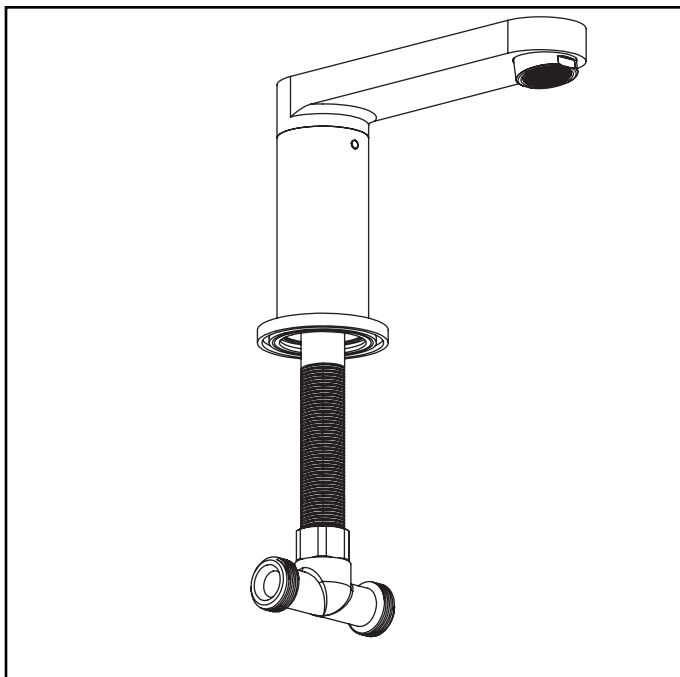


Install body from top of deck and twist to tighten

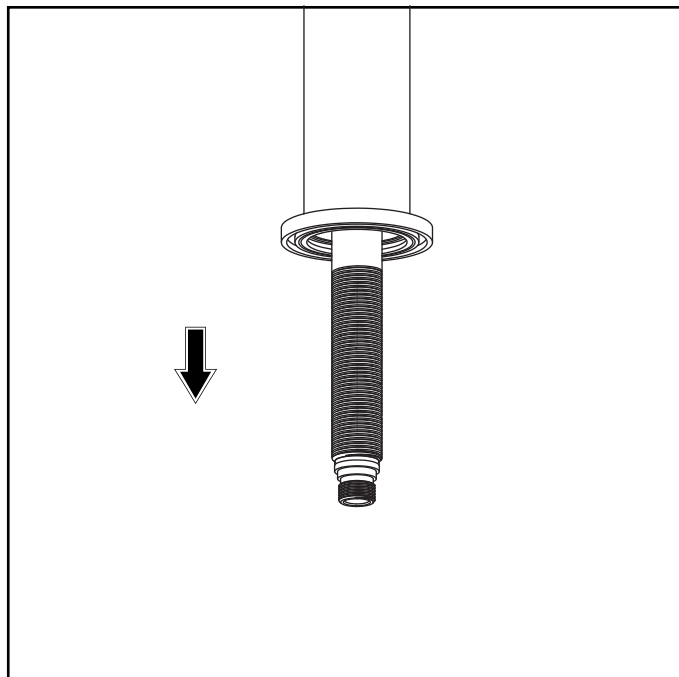


Twist to verify smooth operation

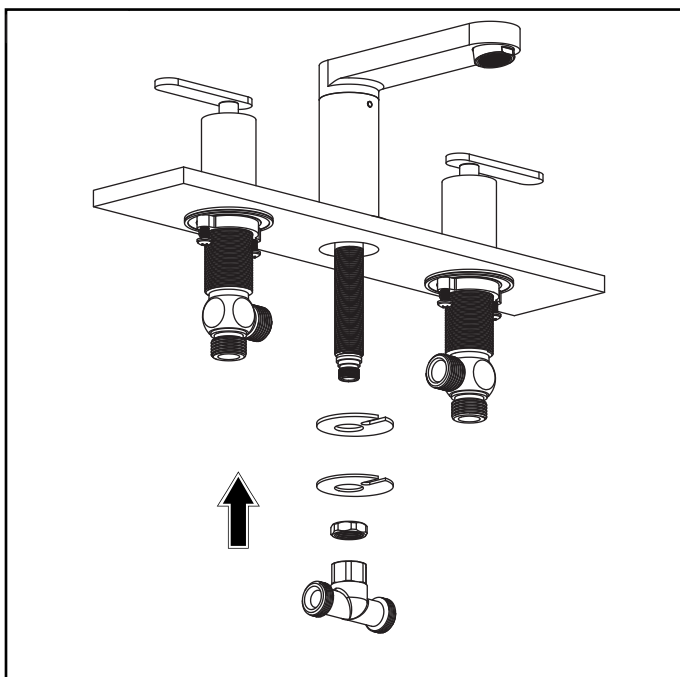
## INSTALLING THE TUB SPOUT



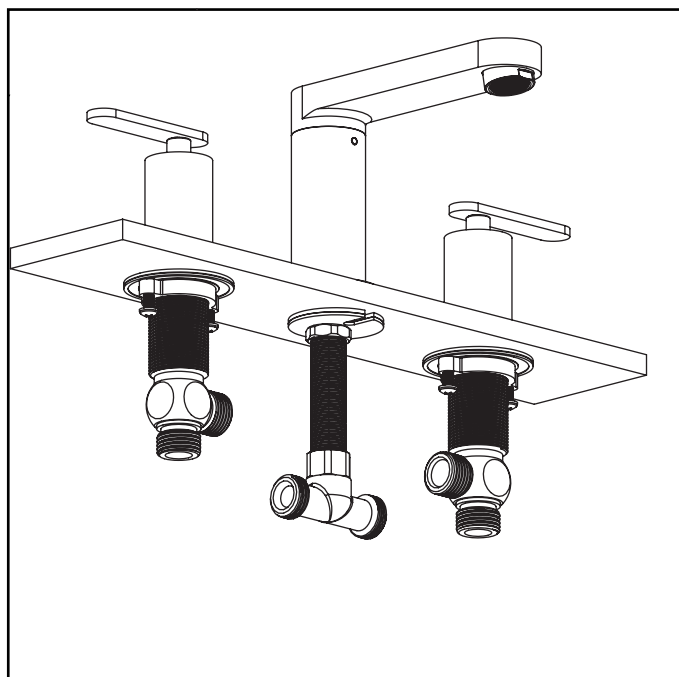
The spout is seen above



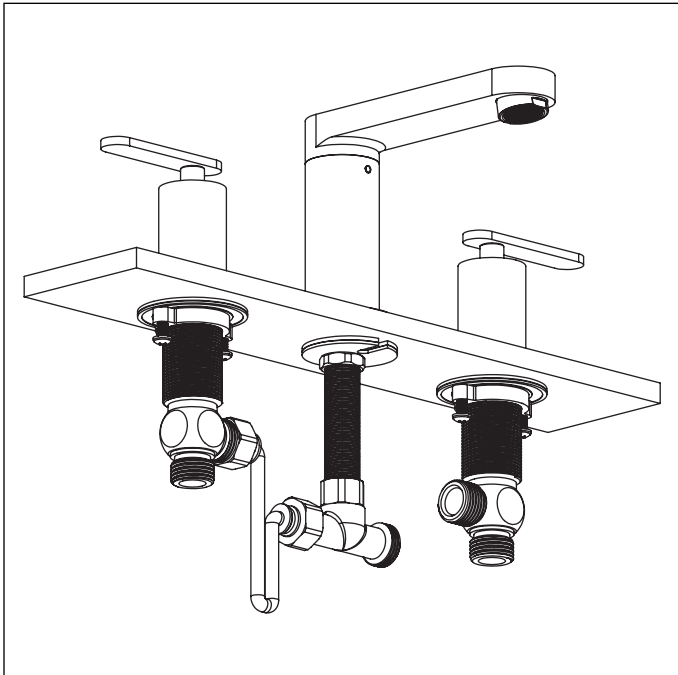
Remove T- fitting



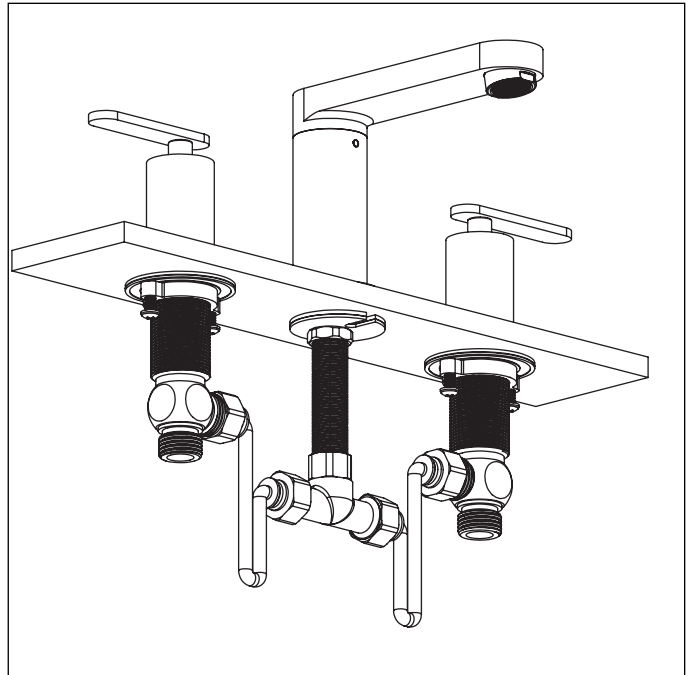
Insert spout into deck hole, then insert washers and tighten retaining nut & T-fitting



## INSTALLING THE HOSES



Connect Hot-side connection



Connect Cold-side connection